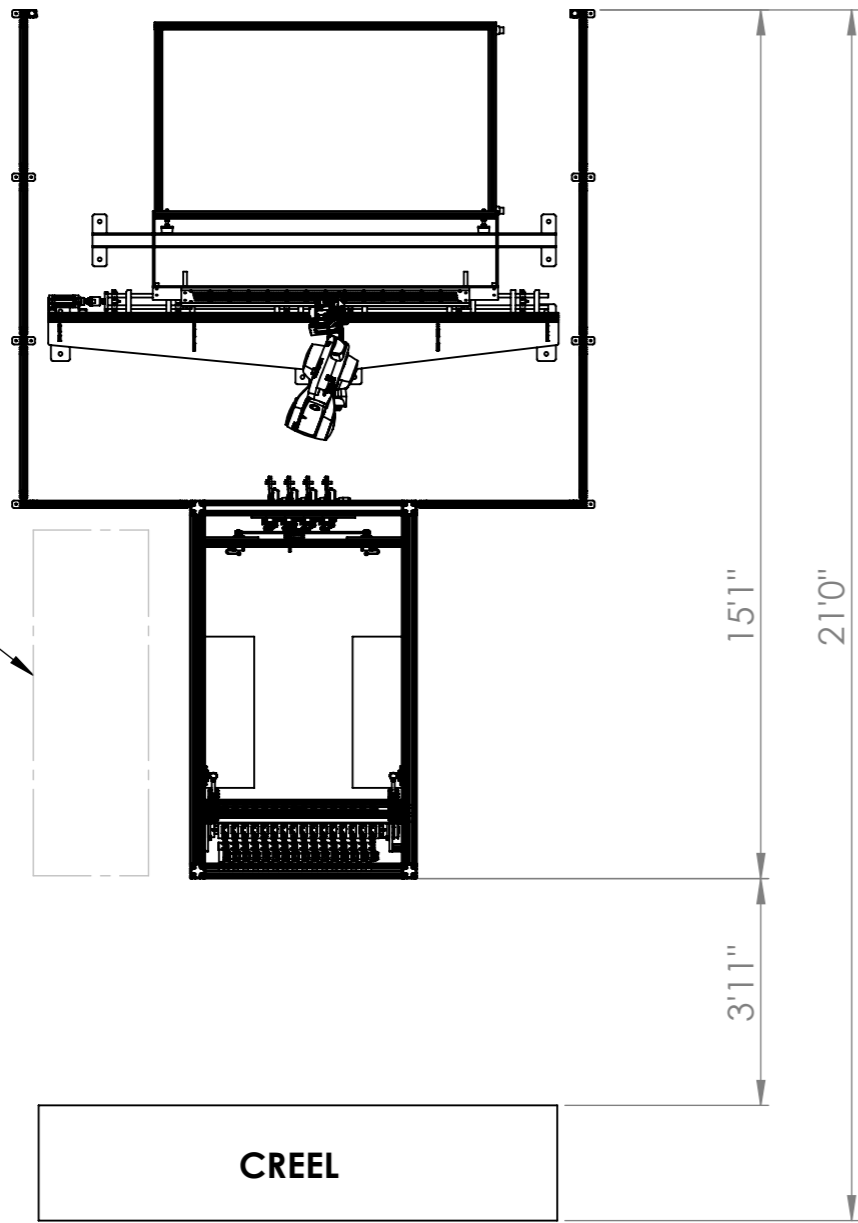
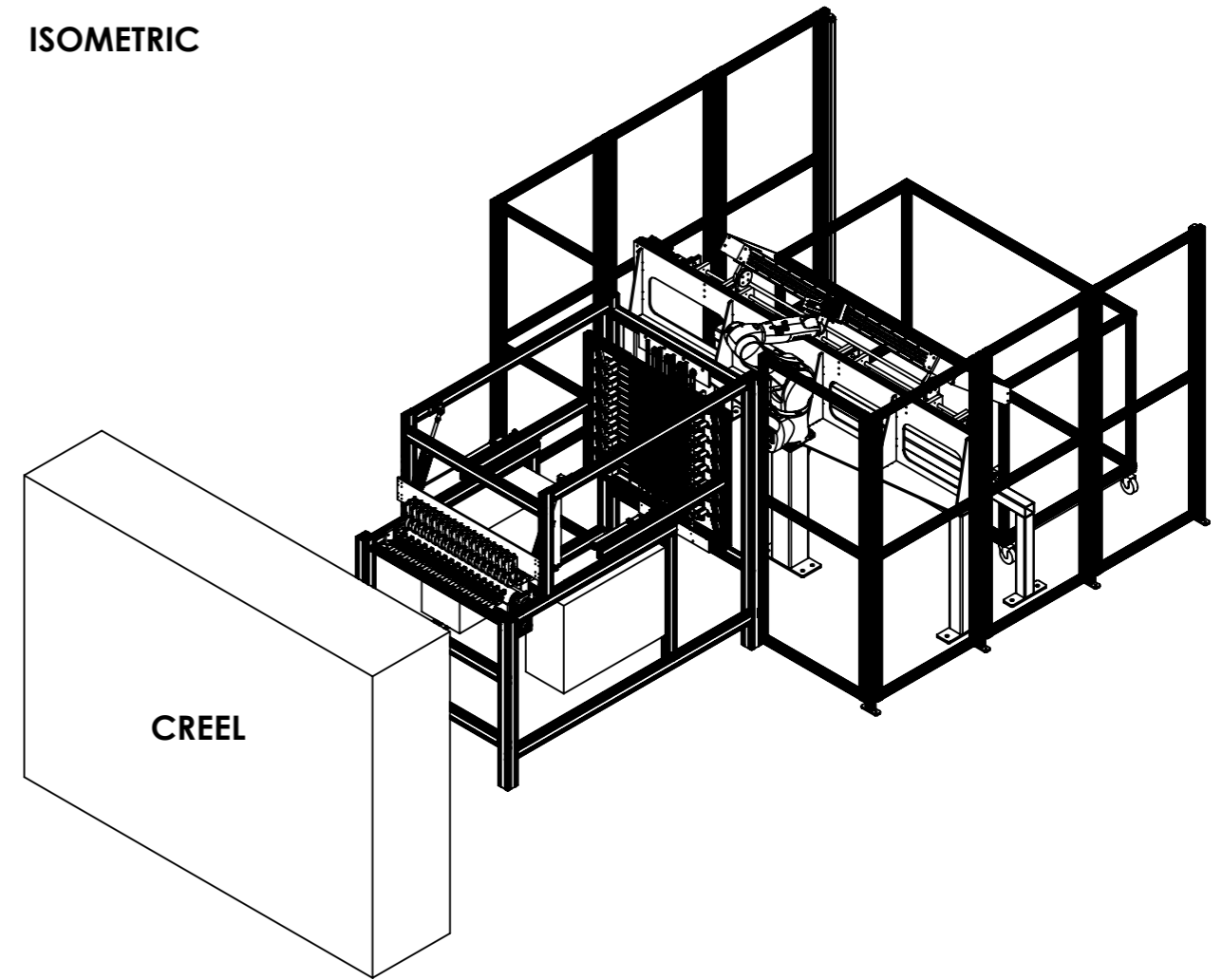


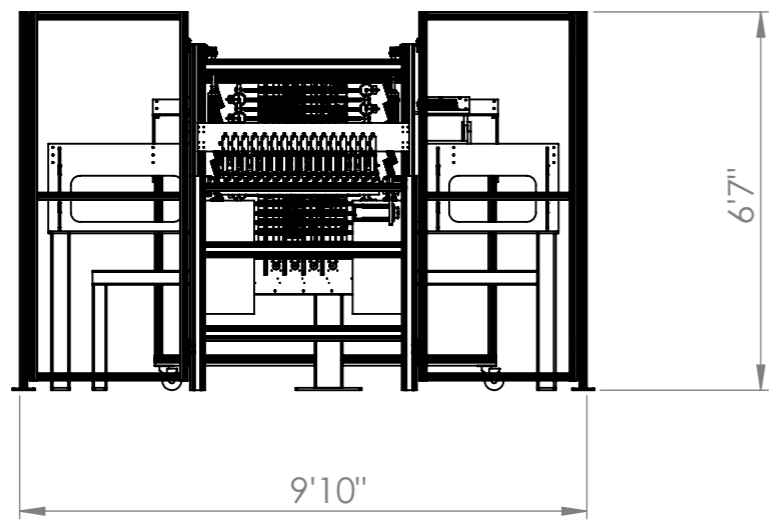
TOP



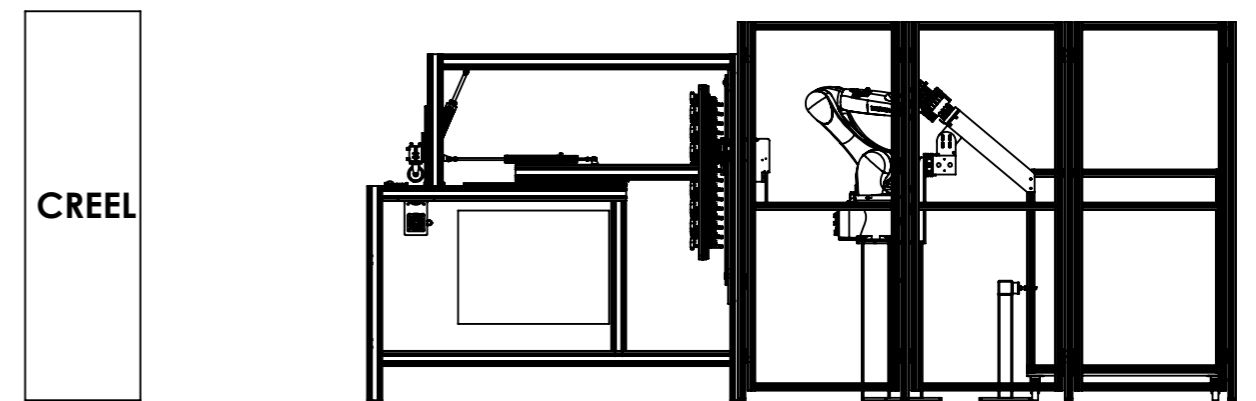
ISOMETRIC



FRONT



RIGHT



NOTE: All Dimensions In Feet and Inches				DEBUR AND BREAK SHARP EDGES FINISH: -	
Title				Sample Creel Robot Assembly	
CHK'D -	DRAWN Matt	Revision	NUMBER		
SUPPLIER -	DATE 14/04/2014	1	Sample Creel Robot Assembly		
MACHINE Sample Creel Robot	MATERIAL:		A3		
SECT -	-		Scale 1:40		
SPARE -			SHEET: 1 of 1		
QTY 1			DO NOT SCALE DRAWING		