

# 24 NEEDLE MTUFT PRO

A new sampling Solution for Tile, Carpet and Rugs

The 24 Needle Mtuft Pro is a tufting machine for larger scale sampling or low volume production.

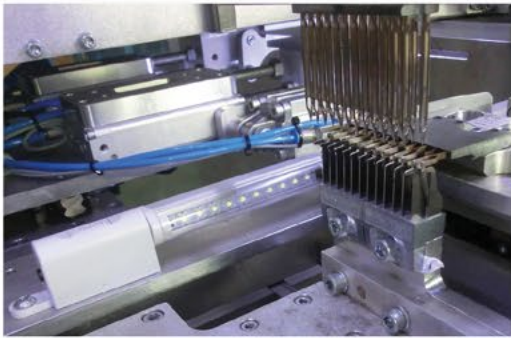
The Mtuft Pro establishes new value in setup vs. production costs - the number of packages of yarn required is not related to the product width.

The 24 Needle Mtuft Pro is available as a loop based machine or a cut based machine.

The loop based machine can be supplied as a level loop or 24 individual ends of height control the cut based machine can be supplied as level cut, cut and loop, level cut loop or multiple level cut and loop.

The 24 Needle Mtuft Pro is available in widths up to 5.0 Metres.

The 24 Needle Mtuft Pro in a width of 2.1 Metres is particularly suitable for the prototyping of carpet tiles.



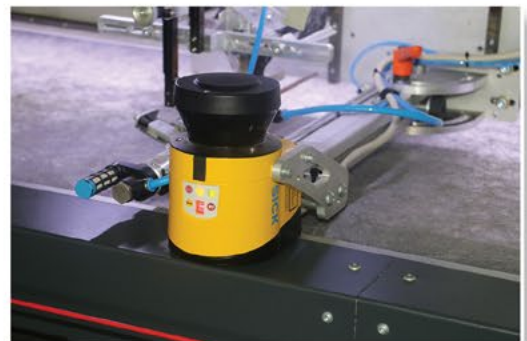
Modular gauge parts are fitted, allowing quick changeover to other gauges



24 individual yarn feeds for precise pile height control

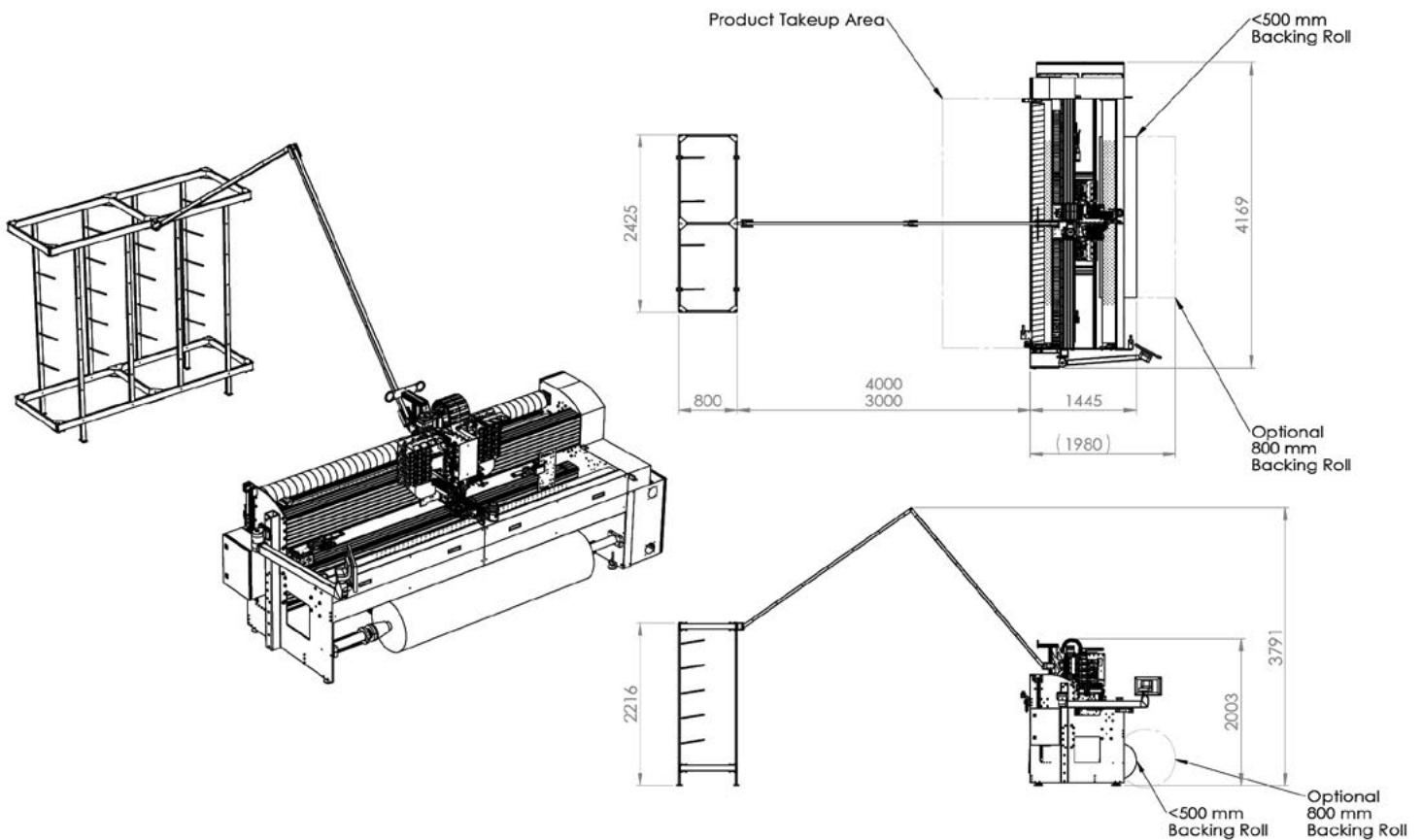


Stitching to within 50 mm of edge of primary backing



Advanced Safety Features protects operators

# INSTALLATION LAYOUT



# TECHNICAL SPECIFICATIONS



Model	TMP21
Number of yarn positions	24
Maximum tufting width	2100 mm
Required backing width	Tufting Width + 100 mm
Machine width	4200 mm
Machine height	2000 mm
Machine depth	1500 mm
Internal roll max diameter	500 mm
External roll max diameter	800 mm
Machine speed	Max 1200 rpm
Machine mass	2400 Kg
Product take-up	Customer supplied
Creel	Customer supplied
Electrical requirements	400-415 V 3 Phase 20 Amp
Air requirements	8 Bar 200-300 litres per minute



[www.modra.com](http://www.modra.com) for video

10 Neilson Court, Warragul Victoria 3820, Australia

tel: +61 3 5622 3261

fax: +61 3 5622 3283

email: [sales@modra.com.au](mailto:sales@modra.com.au)

**modra**